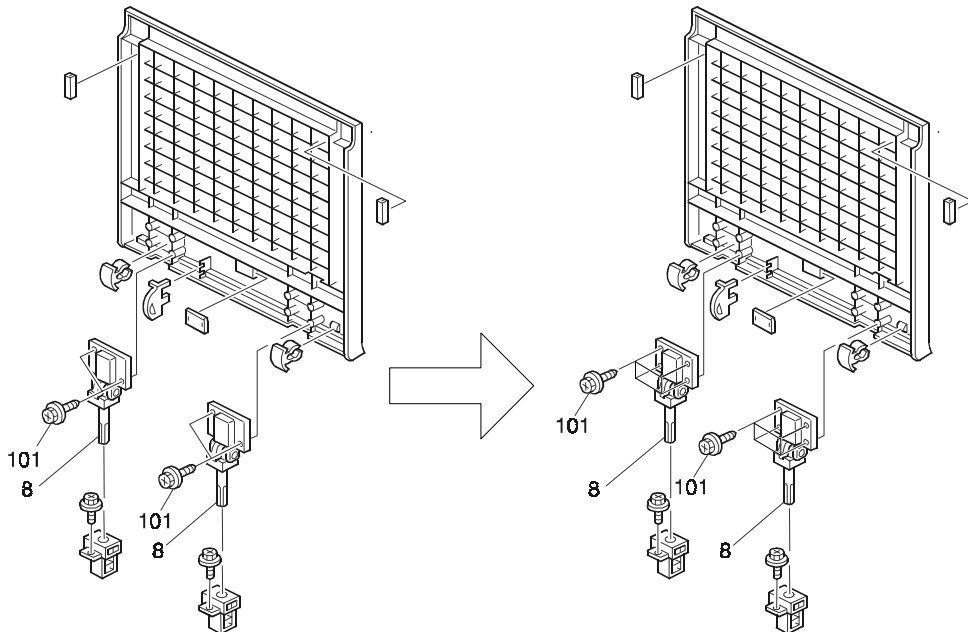


Model: Iris/Lilac/Cattleya Platen Cover		Date: 09-Mar-01	No.: MA749001
Modified Article: Platen Cover Hinge		Prepared by: M. Tsuyuki	
From: Technical Services Dept., GTS Division			
Reason for Modification:	<input type="checkbox"/> Parts catalog correction	<input type="checkbox"/> Vendor change	<input type="checkbox"/> To meet standards ( )
	<input type="checkbox"/> To facilitate assembly	<input checked="" type="checkbox"/> To improve reliability	
	<input type="checkbox"/> Part standardization	<input type="checkbox"/> Other	

Old part number	New part number	Description	Q'ty	Int	Page	Index	Note
A7491021	A7491121	Platen Cover Hinge	2	X/O	3	8	
04504016B	04504025H	Tapping Screw – M4x16 Tapping Screw – M4x25	4→8	X/O	3	101	

To prevent the mounting position of the platen cover hinge from being damaged, the platen cover has been modified and the number of screws which mount the hinge on the platen cover changed from two to four.  
 This modification has been done from June 2000 production.



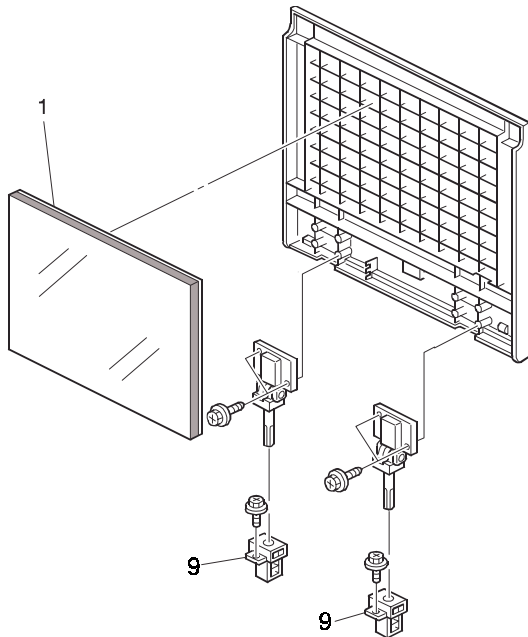
Model: Iris/Lilac /Cattleya Platen Cover		Date: 24-Oct-01	No.: MA749002
Modified Article: Hinge Holder		Prepared by: M. Tsuyuki	
From: Technical Services Dept., GTS Division			
Reason for Modification:	<input type="checkbox"/> Parts catalog correction <input type="checkbox"/> To facilitate assembly <input type="checkbox"/> Part standardization	<input type="checkbox"/> Vendor change <input type="checkbox"/> To improve reliability <input checked="" type="checkbox"/> Other	<input type="checkbox"/> To meet standards ( )

To ensure that the original is flat and secure against the exposure glass, the Platen Cover Cushion has been thickened and the height of the Hinge Holder has been increased.

Old part number	New part number	Description	Q'ty	Int	Page	Index	Note
A7491007	A7491107	Platen Cover Cushion	1	X/X	3	1	*
A7491035	A7491135	Hinge Holder	2	X/X	3	9	*

**\*Note:** The two new parts should be replaced together as a set.

### 1. Platen Cover Type 100 (A749)



Model: Iris/Lilac/Cattleya Platen Cover		Date: 24-Oct-01	No.: MA749003
Modified Article: Platen Cover Hinge		Prepared by: M. Tsuyuki	
From: Technical Services Dept., GTS Division			
Reason for Modification:	<input type="checkbox"/> Parts catalog correction <input type="checkbox"/> To facilitate assembly <input type="checkbox"/> Part standardization	<input type="checkbox"/> Vendor change <input checked="" type="checkbox"/> To improve reliability <input type="checkbox"/> Other	<input type="checkbox"/> To meet standards ( )

To maximize user safety, the Platen Cover Hinge has been strengthened and a Cover added during assembly. This cover has also been registered as a new service part.

Pleaser refer to RTB RA749001

Old part number	New part number	Description	Q'ty	Int	Page	Index	Note
A7491121	A7491122	Platen Cover Hinge	2	X/O	3	8	
	A7491029	Cover – Platen Cover Hinge	2		3	12*	

\* New Index No.

**Note:** The Hinge was modified from August '01, and the Cover added from October '01.

1. Platen Cover Type 100 (A749)

